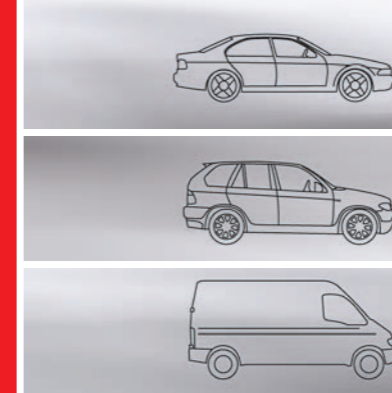


INSTALLATION GUIDE

TOYOTA RAV4 III

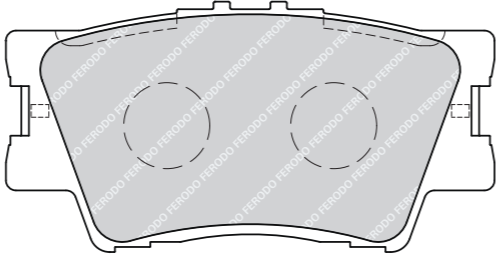


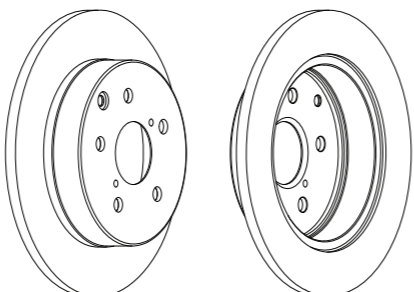
BRAKE FLUID	
Product	DOT 4 SAE J1703
Capacity	1.0 litre
Maintenance intervals	Replacement and bleeding every 2 years

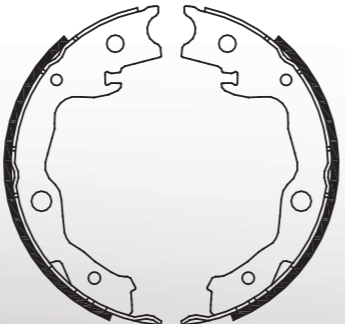
BRAKE FLUID DOT4	
FBX050	500 ml
FBX100	1 lt
FBX500	5 lt
FBX2000	20 lt



FERODO PART NUMBERS

Brake pads	FDB1892
Length (mm) 96.6 Height (mm) 49.50 Thickness (mm)* 15.50 Thickness min (mm)* 7.50	

Discs	DDF1846
Diameter (mm) 281.00 Thickness (mm) 12.00 Min. thickness (mm) 10.50	

Parking brake shoes	FSB4035
Diameter (mm) 170.00 Width (mm) 32.00	

TOYOTA RAV4 III REAR BRAKES

BRAKE PADS

REMOVAL

- Position vehicle onto lift.
- Remove rear wheels.
- Loosen lower retaining screw between brake caliper and mount.
- Turn brake caliper upwards, and remove pads from brake holder.

ASSEMBLY

- Correctly position brake pads onto brake holder.
- Retract piston using a suitable tool.
- Turn brake caliper downwards.
- Tighten brake caliper to mount retaining bolt to a torque of 26.5 Nm.
- Proceed to hydraulic system filling and bleeding.

BRAKE DISCS

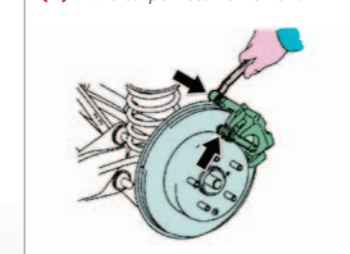
REMOVAL

- Position vehicle onto lift.
- Remove rear wheels.
- Remove union bolt and seal.
- Remove the 2 bolts and brake caliper from mount. **(A)**
- Remove the 2 bolts and mount from brake caliper. **(B)**
- Mark disc and axial hub.
- Remove disc from hub.
- Clean hub surface of rust and dirt.

ASSEMBLY

- Fit brake caliper mount with the 2 bolts, and tighten to a torque of 88 Nm. **(C)**
- Tighten brake caliper to mount retaining screws to a torque of 34 Nm.
- Proceed to hydraulic system filling and bleeding.

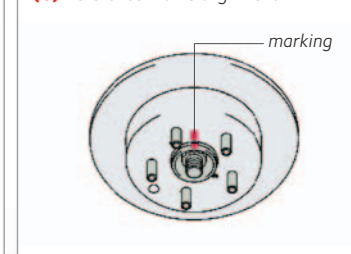
(A) Brake caliper retainer removal



(B) Brake caliper mount removal



(C) Reference marks alignment



WARNING

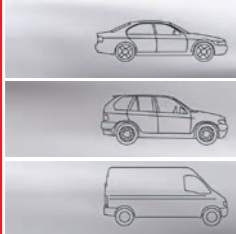
When retracting the piston into the caliper housing, brake fluid is pushed into the reservoir. When the caliper moves back, ensure that caliper piston is supported. Make sure that brake pad contact points are clean and free from any contamination.



www.ferodo.com

The Ferodo brand is a registered trademark of

INSTALLATION GUIDE



PARKING BRAKE

BRAKE SHOES

REMOVAL

- Remove the 2 bolts and mount from cylinder.
- Remove brake shoe adjustment hole cap from rear brake disc.
- Mark disc and hub.
- Release parking brake.
- Turn brake shoe adjuster until disc turns freely, then remove disc.
- Using long nose pliers, remove the 2 tension springs from brake shoe.

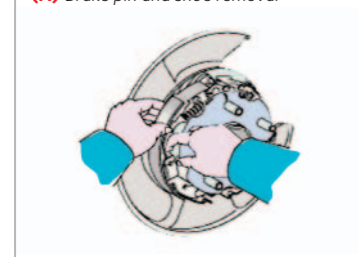
TENSION SPRING REMOVAL

- Disconnect parking brake cable.
- Press brake shoe spring to remove (A) pin, spring and brake shoe.
- Disconnect parking brake cable from brake shoe lever.

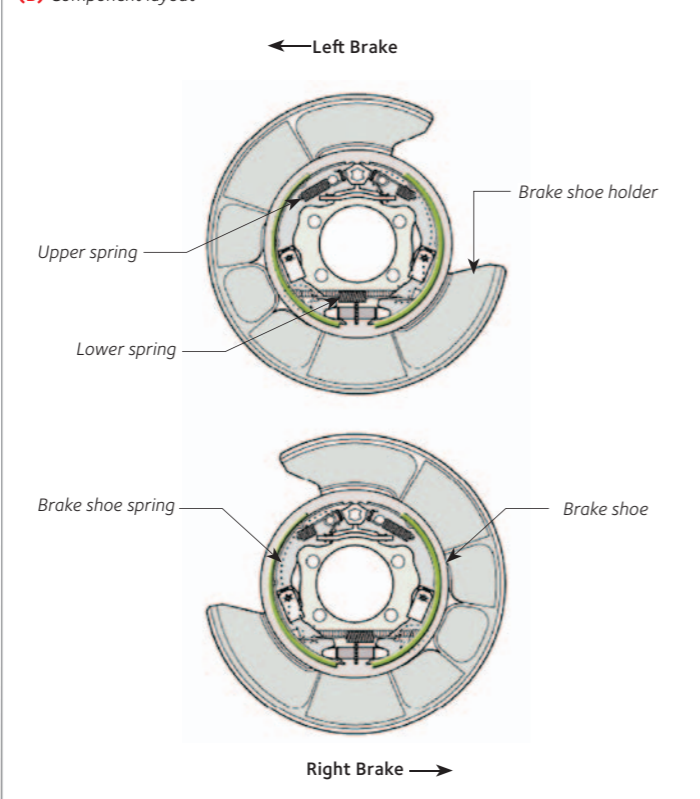
ASSEMBLY

- Apply high-temperature grease onto brake shoes block plate mating surfaces.
- Connect parking brake cable to brake shoe lever.
- Fit brake shoe complete with spring and pin.
- Apply high-temperature grease onto a section of brake shoe adjuster screw.
- Using long nose pliers, install tension spring.
- Apply high-temperature grease onto reaction rod and brake shoe tension spring mating surfaces.
- Using long nose pliers, fit the 2 tension springs onto brake shoe.
- Refer to the picture below (B) to check for all parts correct installation.
- Align reference marks and fit brake disc.
- Fit brake disc and adjust parking brake.

(A) Brake pin and shoe removal



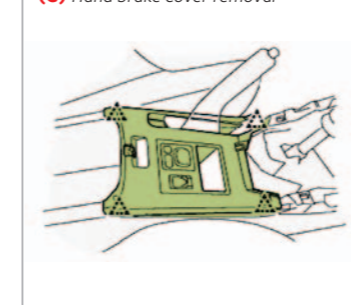
(B) Component layout



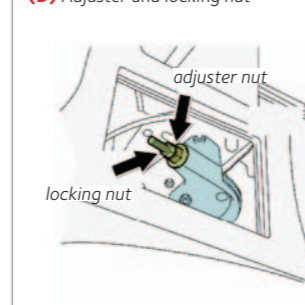
ADJUSTMENT PROCEDURE

- Pull lever upwards and count 6 to 8 clicks.
- Using a screwdriver, disconnect the 4 fixings.
- Disconnect connector and (C) remove rear console upper panel.
- Loosen (D) locking cable and adjuster nuts.
- Remove rear wheels.
- Remove the stopper, and turn adjuster to widen brake shoe until disc is locked.
- Turn brake shoe adjuster until it contracts where disc can rotate freely.
- Check that brake shoe does not create any friction onto brakes.
- Turn cable adjuster nut until reaching lever correct travel.
- Tighten locking nut to a torque of 6 Nm.
- Pull parking brake lever 3 to 4 times, and check its travel.
- Make sure that, when the parking brake lever is pulled, brake warning light comes on upon the first click.

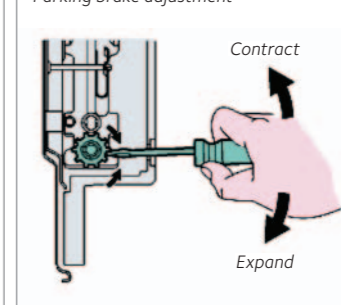
(C) Hand brake cover removal



(D) Adjuster and locking nut



Parking brake adjustment



HYDRAULIC CIRCUIT

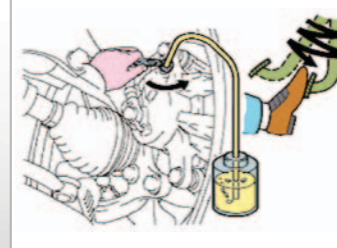
SYSTEM FILLING AND BLEEDING

- Connect vinyl pipe to bleed cap.
- Press brake pedal several times, (A) then loosen bleeder cap with the pedal pressed.
- When fluid stops flowing out, tighten bleeder cap; then (B) release brake pedal.
- Once the bleeding operations have been completed, carry out a road test where at least one instance of ABS braking occurs.

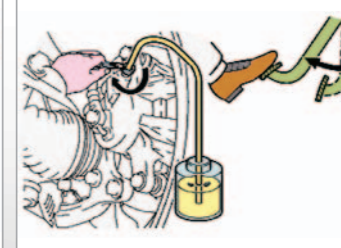
Bleeding sequence

- 1) left hand front brake caliper
- 2) right hand front brake caliper
- 3) left hand rear brake caliper
- 4) right hand rear brake caliper

(A) Bleed coupling opening



(B) Bleed connector closing



WARNING

Brake fluid is hygroscopic, and it should be changed at regular intervals. Do not use fluid which does not comply with the specifications indicated in the table. Take care not to let fluid accidentally drop onto painted, rubber, plastic and mechanical parts.